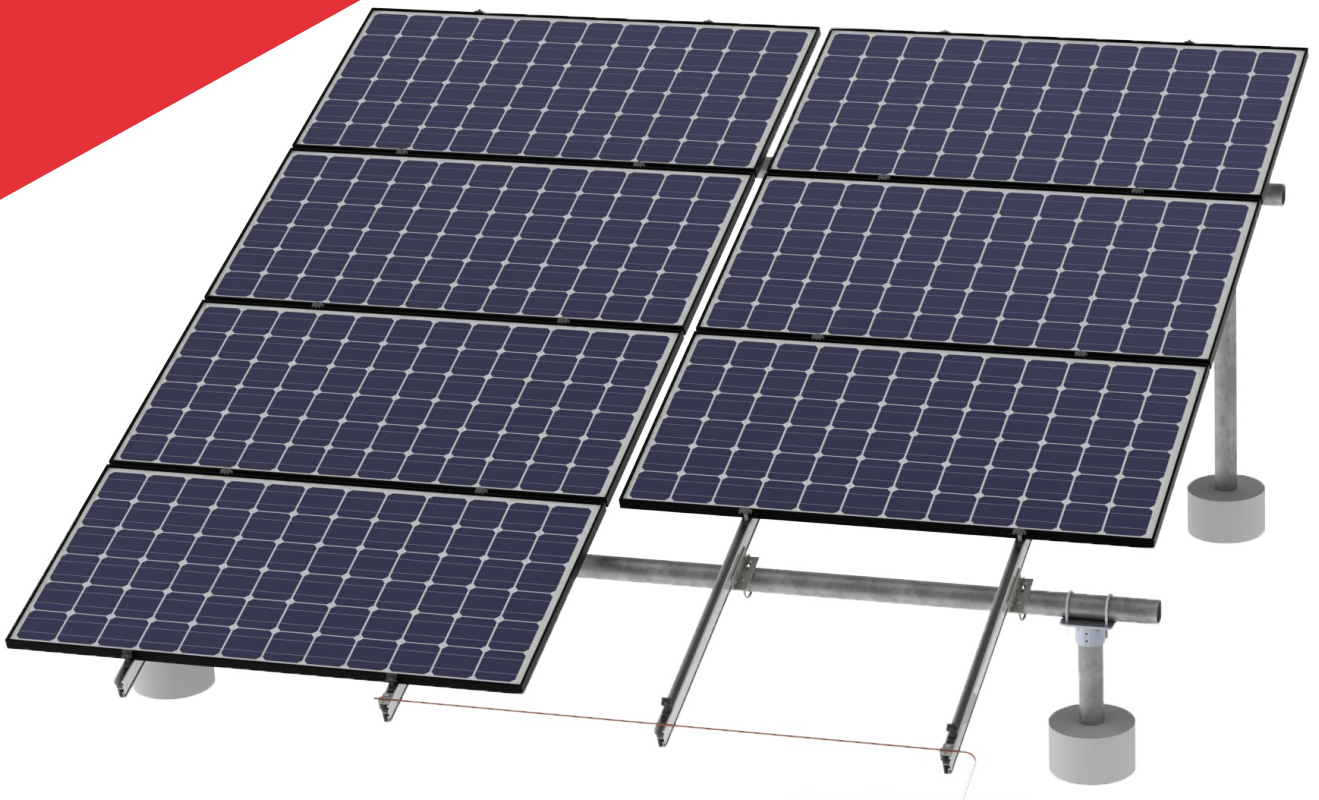


CrossRail Ground Mount System



DATA SHEET

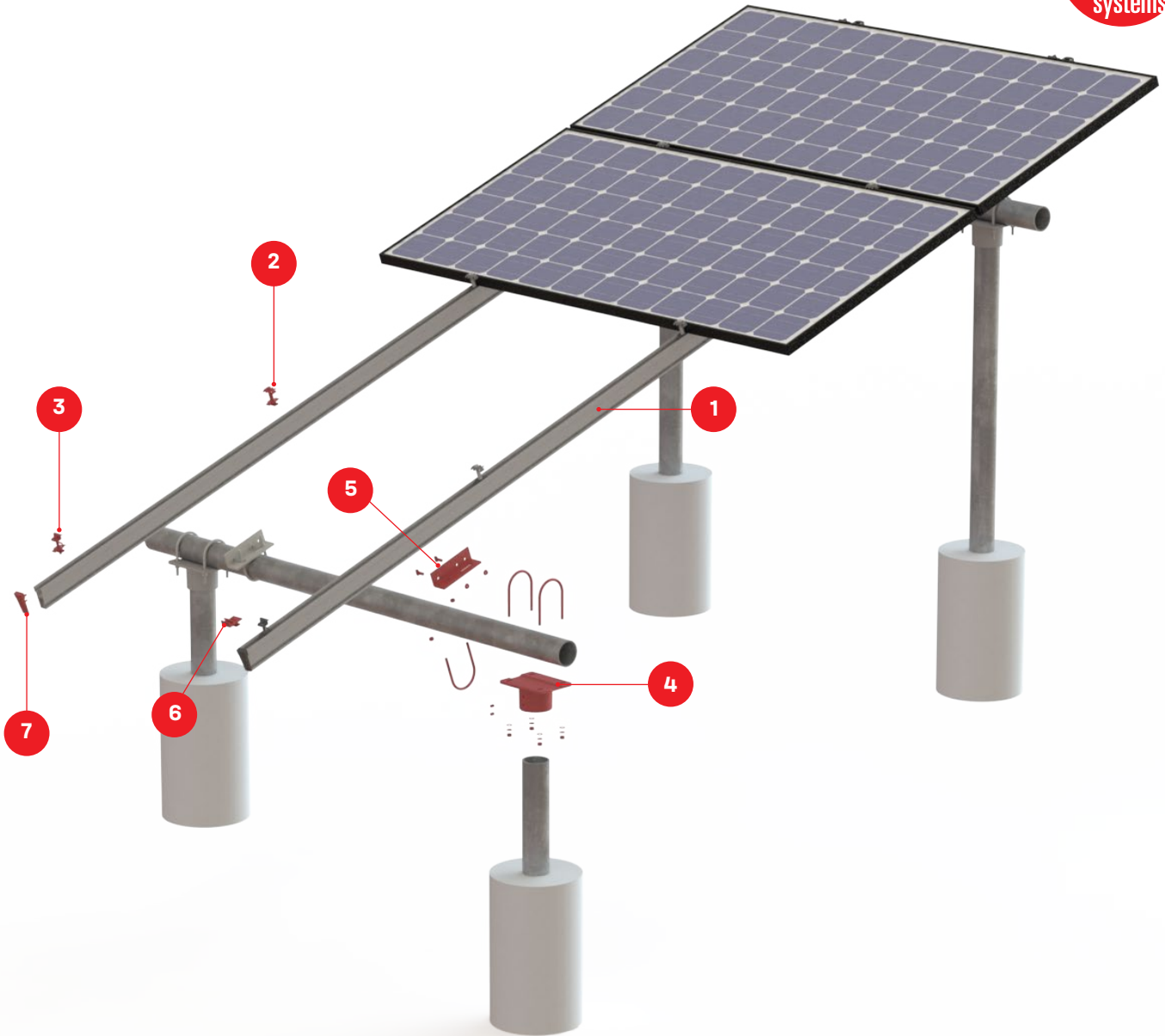


PRODUCT FEATURES

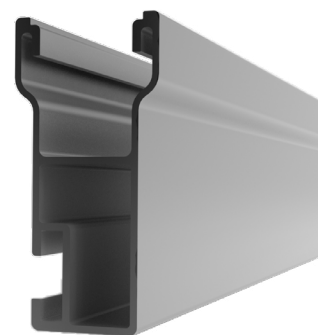


- / High quality, German-engineered system optimized for residential installations
- / Pre-engineered system
- / Higher power density with 5 modules in landscape orientation
- / 5-25 degree tilt
- / 0-70 psf snow
- / 90-120 mph wind
- / Helical piles, ground screws, ballsat options & concrete footings
- / Adjustable hardware for pipe sizes 1.5", 2" or 3"

TECHNICAL DATA



Item No.	Description	Part No.
1	CrossRail 80	4000508
2	Mid Clamp, 13mm Hex	4000601-H/4000602-H
3	End Clamp	4000090/4000091/4000092/4000093
4	GM Residential Top Cap 3", Kit	4000198
5	K2 Pipe Bracket Kit	4000100 - 1.5" 4000330 - 2" 4000175 - 3"
6	K2 Ground Lug	4000006-H
7	EndCap, Black, CR80	4001221



CROSSRAIL 80

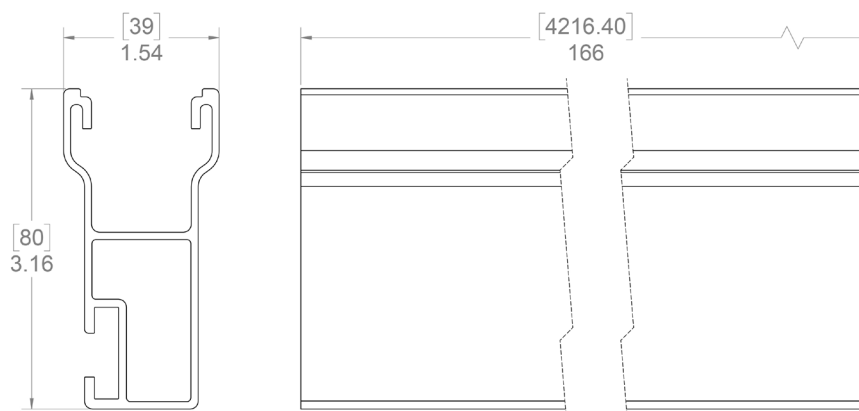
Mechanical Properties

CrossRail 80	
Material	6000 Series Aluminum
Ultimate Tensile Strength	37.7 ksi (260 MPa)
Yield Strength	34.8 ksi (240 MPa)
Weight	0.76 lbs/ft (1.13 kg/m)
Finish	Mill or Dark Anodized

Sectional Properties

CrossRail 80	
Sx	0.5290 in ³ (8.699 cm ³)
Sy	0.2514 in ³ (4.120 cm ³)
A (Sección X)	0.7770 in ² (5.013 cm ²)

Units: [mm] in



Notes:

- / Structural values and span charts determined in accordance with Aluminum Design Manual and ASCE 7-16.
- / UL2703 Listed System for Fire and Bonding.

Components



CrossRail 80

Part Number	Description
4000508	CrossRail 80 168" Rail Mill



CrossRail Mid Clamp

Part Number	Description
4000601-H	CR MC Silver, 30-47mm, Shared RL 30-37mm 13mm Hex
4000602-H	CR MC Dark, 30-47mm, Shared RL 30-37mm 13mm Hex



CrossRail End Clamp

Part Number	Description
4000090	CR EC Silver, 30-40mm
4000091	CR EC Dark, 30-40mm
4000092	CR EC Silver, 40-47mm
4000093	CR EC Dark, 40-47mm



Yeti Clamp

Part Number	Description
4000050-H	Yeti Hidden EC for CR, 13mm Hex Set



Aluminum End Clamp

Part Number	Description
4005344	CrossRail EC Silver, AL 32-33mm
4005345	CrossRail EC Silver, AL 30-31mm
4005169	CrossRail EC Silver, AL 34-36mm
4005290	CrossRail EC Silver, AL 37-38mm
4005170	CrossRail EC Silver, AL 39-41mm
4005291	CrossRail EC Silver, AL 42-44mm
4005171	CrossRail EC Silver, AL 45-47mm
4005292	CrossRail EC Silver, AL 48mm
4005172	CrossRail EC Silver, AL 49-50mm



Bonding & Grounding

Part Number	Description
4000629-H	CR Microinverter & Opt, 13mm Hex Kit
4000006-H	Everest Ground Lug, 13mm Hex
4000083	MLPE, Module Frame Mount, Kit



Top Cap

Part Number	Description
4000198	GM Residential Top Cap 3", Kit



Pipe Bracket

Part Number	Description
4000100	K2 1.5" Pipe - Bracket Kit
4000330	K2 2" Pipe - Bracket Kit
4000175	K2 3" Pipe - Bracket Kit



Wire Management

Part Number	Description
4000069	Wire Management Clip, TC
4000382	HEYClip SunRunner Cable Slip SS, S6404
4005394	Wire Mangement Clip, Omega, Black

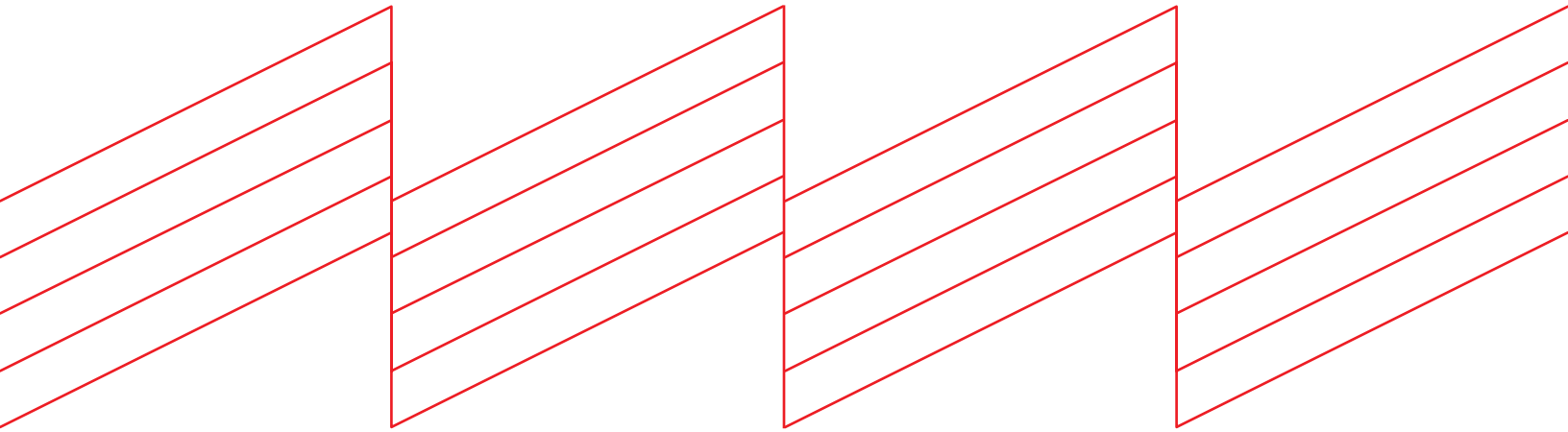


End Cap

Part Number	Description
4001221	EndCap, Black, CR80



Connecting Strength



K2 Systems, LLC

4665 North Ave. Suite I • Oceanside, CA 92056 •
USA +1.760.301.5300 • infous@k2-systems.com
www.k2-systems.com

CrossRail Ground Mount System Data Sheet V1 | 0323 • Subject to change
Product illustrations are exemplary and may differ from the original.