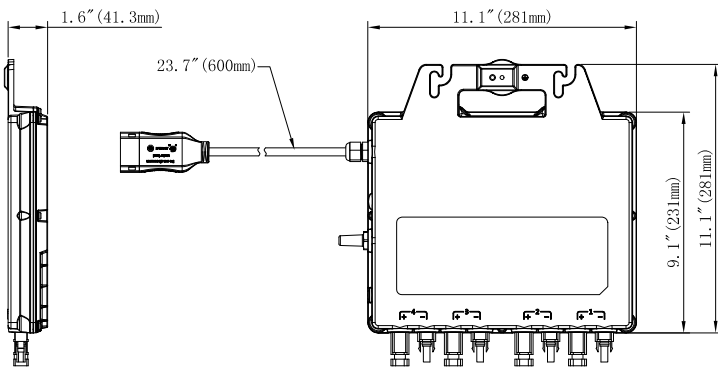


# QS1

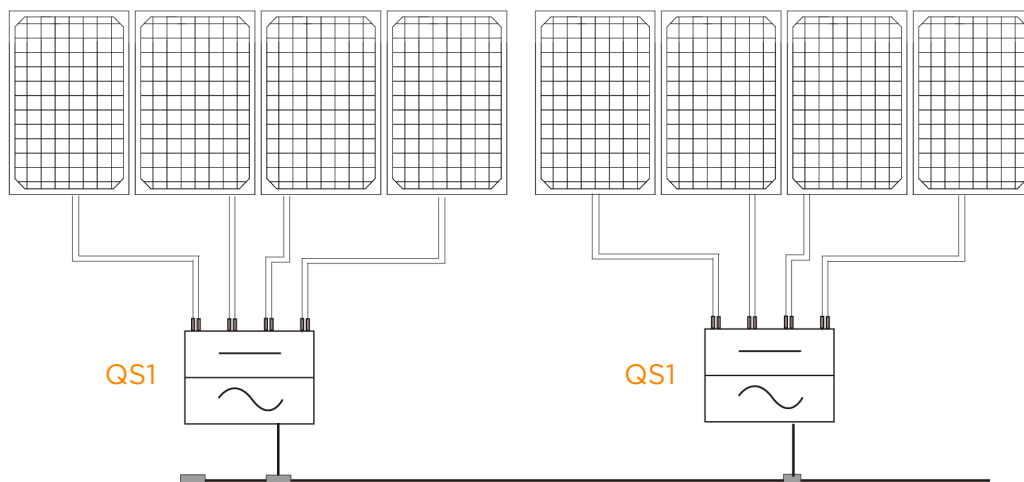
- Single unit connects up to four solar modules
- 4 input channels with independent MPPT and monitoring function
- Maximum continuous output power up to 1200VA
- CA Rule 21 (UL 1741 SA) compliant
- Accommodates 60 & 72-cell PV modules up to 525W+

## DIMENSIONS



The APsystems QS1 is a grid-tied microinverter with Reactive Power Control (RPC) technology and Rule 21 grid support functionality. High efficiency, high reliability of the QS1 with 4 independent MPPT inputs, Maximum AC output power reaching 1200VA. Quarter the inverters and quarter the installation means real cost savings for residential and commercial customers.

## WIRING SCHEMATIC



# QS1 Microinverter Datasheet

## Region

USA / Canada

### Input Data (DC)

Recommended PV Module Power (STC) Range	250Wp-525Wp+	
MPPT Voltage Range	22V-48V	
Operation Voltage Range	16V-55V	
Maximum Input Voltage	60V	
Startup Voltage	20V	
Maximum Input Current	14A×4	
Maximum DC short circuit current	16A×4	

### Output Data (AC)

	240V	208V
Maximum Continuous Output Power	1200VA	
Nominal Output Voltage /Range	240V/211V-264V	208V/183V-229V
Adjustable Output Voltage Range	150V-280V	
Nominal Output Current	5A	5.77A
Maximum Units Per Branch	3units	2units
Nominal Output Frequency/Range	60Hz/59.3Hz-60.5Hz	
Adjustable Output Frequency Range	55Hz-65Hz	
Output Power Factor Rating	>0.99(-0.8-0.8 adjustable)	
Total Harmonic Distortion	<3%	
Maximum Output Fault Current (AC) And Duration	137 Apk, 0.78 ms of duration	

### Efficiency

Peak Efficiency	96.5%
Nominal MPPT Efficiency	99.5%
Night Power Consumption	30mW

### Mechanical Data

Operating Ambient Temperature Range	-40°F to +149°F(-40°C to +65°C)
Storage Temperature Range	-40°F to +185°F(-40°C to +85°C)
Dimensions (W x H x D)	11.1" x 9.1" x 1.6"(281mm x 231mm x 41.3mm)
Weight	9.9lbs(4.5kg)
AC Bus Cable	12AWG
Enclosure Rating	Type6
Cooling	Natural Convection - No Fans

### Features

Communication	Wireless
Transformer Design	High Frequency Transformers, Galvanically Isolated
Monitoring	Via EMA* Online Portal
Warranty	10 Years Standard ; 25 Years Optional

### Certificate&Compliance

Safety And EMC Compliance	UL1741; CA Rule 21 (UL 1741 SA); CSA C22.2 No. 107.1; NOM-001; FCC Part15; ICES-003
Grid Connection Compliance	IEEE1547
NEC Compliance	NEC2014 & NEC2017 Section 690.11 DC Arc-Fault circuit Protection NEC2014 & NEC2017 & NEC2020 Section 690.12 Rapid Shutdown of PV systems on Buildings

\* APsystems online Energy Management Analysis (EMA) platform



Specifications subject to change without notice - please ensure you are using the most recent update found at [usa.APsystems.com](http://usa.APsystems.com) or [canada.APsystems.com](http://canada.APsystems.com).

© All Rights Reserved

APsystems:

600 Ericksen Ave NE, Suite 200 Seattle, WA 98110 | 844-666-7035 | [APsystems.com](http://APsystems.com)