

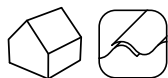
Universal Standard Hook +2, 5.5"



DATA SHEET

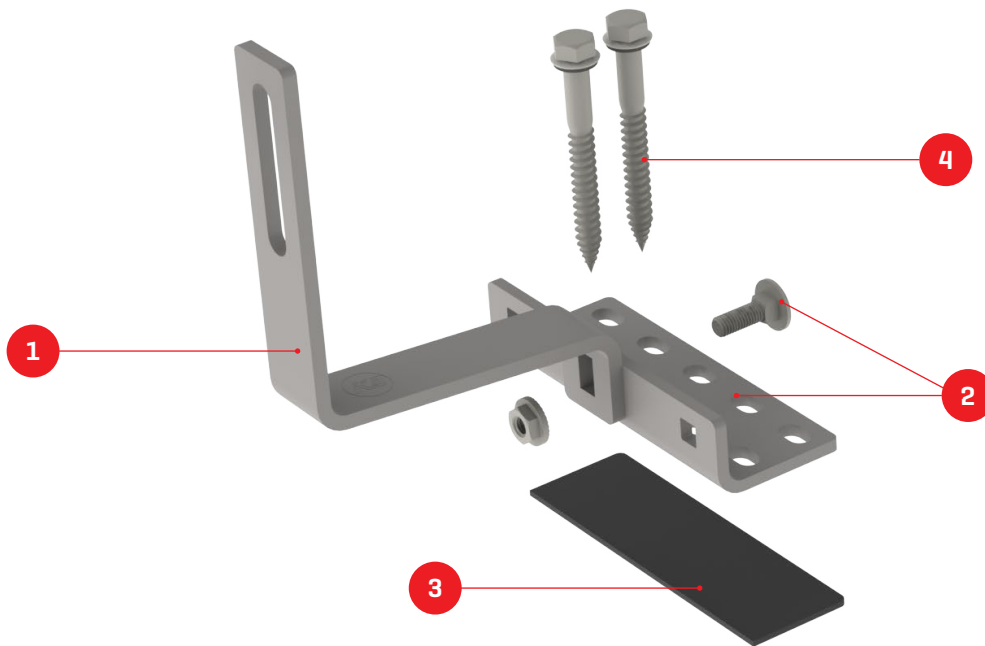



PRODUCT FEATURES



- / Universal hook with maximum adjustability
- / "-B" part number comes with K2 EverSeal preassembled on base
- / Slim design = less tile interference
- / Compatible with K2's EverFlash Tile Replacement Flashings
- / Minimal tile grinding

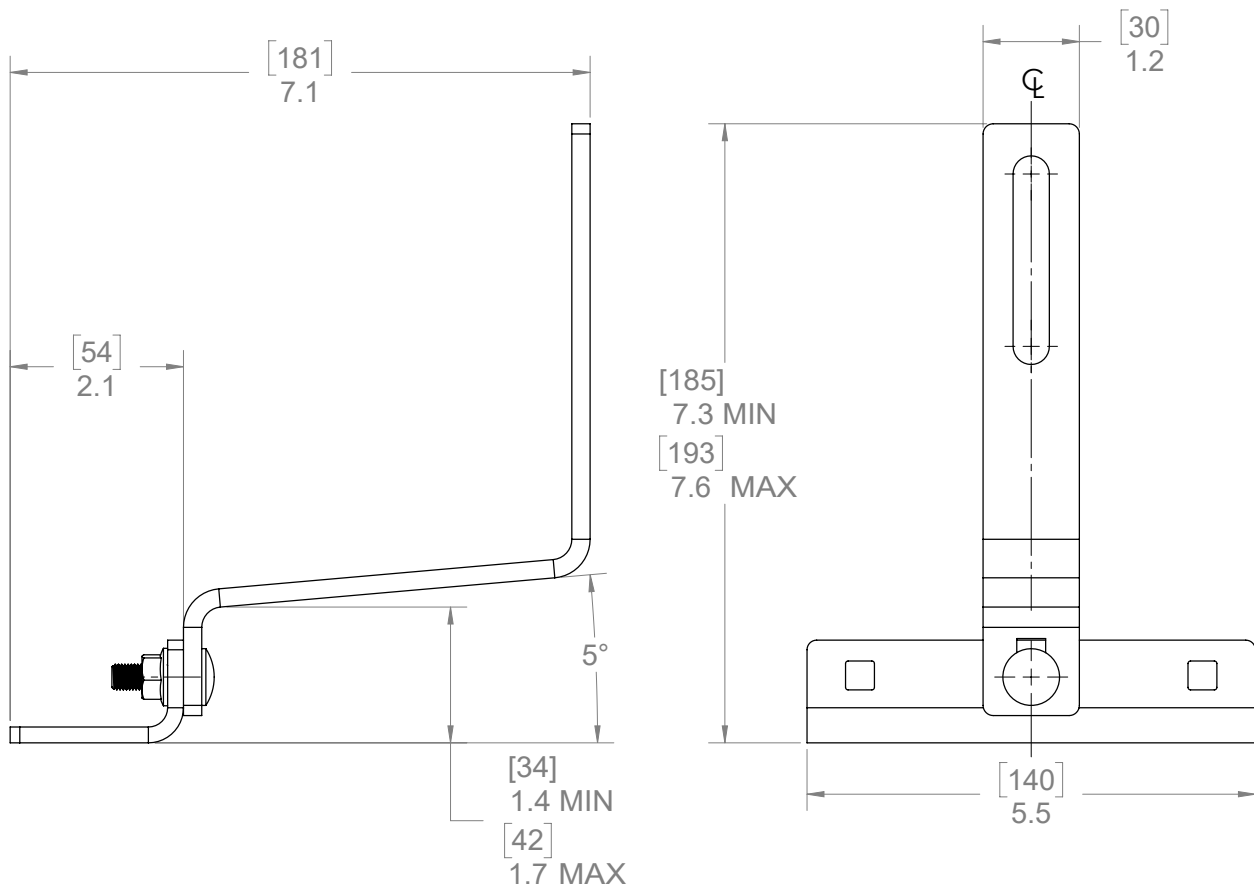
TECHNICAL DATA



Item No.	Description	Part Number
1	Universal Standard Hook +2, Top	4000142 Universal Standard Hook +2, 5.5" Base, Kit
2	Universal Standard Hook +2, 5.5" Base w/ Hardware	4000142-B USH +2, 5.5" Base Kit, w/K2 EverSeal 4000142-B-US USH +2, 5.5" Base Kit, w/K2 EverSeal, DC 
3	K2 FlexFlash Butyl Pad	
3	5/16" Lag Screws w/ EDPM Washers	

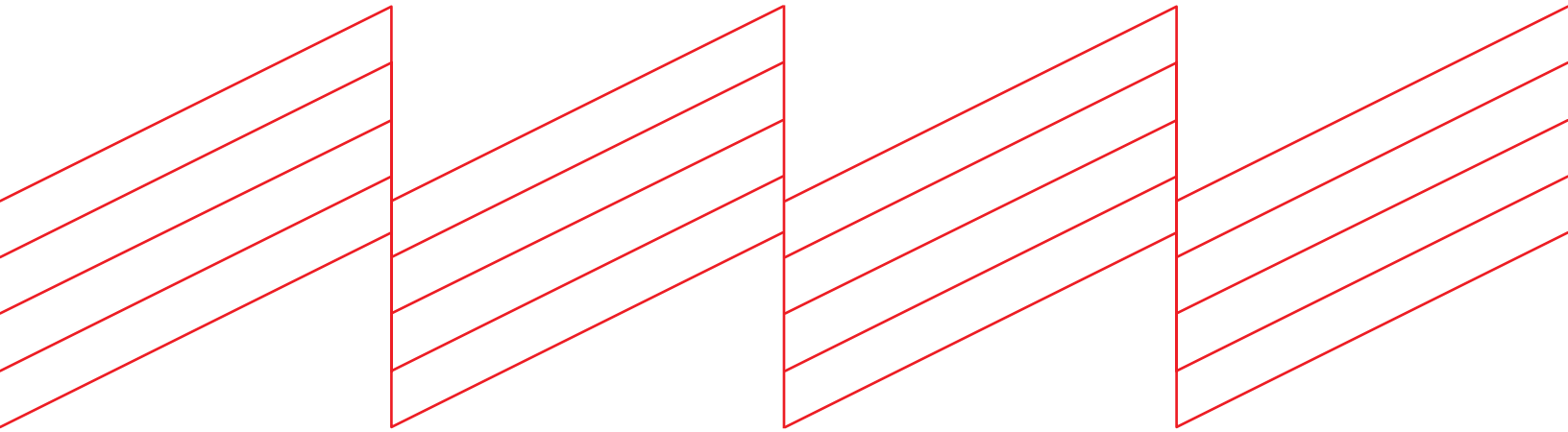
	Universal Standard Hook +2, 5.5" Base Kit
Roof Type	All tile roof types
Material	All stainless steel
Finish	Mill
Roof Connection	5/16" lag screws
Code Compliance	UL 2703
Compatibility	CrossRail 44-X, 44-X Max, 48-X, 48-XL, 80

Units: [mm] in





Connecting Strength



K2 Systems, LLC

4665 North Ave. Suite I • Oceanside, CA 92056 •
USA +1.760.301.5300 • infous@k2-systems.com
www.k2-systems.com/en-us

USH +2 5.5" Base Kit Data Sheet ENV2 | 1024 • Subject to change
Product illustrations are exemplary and may differ from the original.

Everest Solar Systems S de RL de CV

Calle Coral 2628 Int. 1 • Col. Residencial
Victoria, CP 44560 • Guadalajara, Jal. • México
+52.33.3575.9380 • info@k2-systems.mx
www.k2-systems.com/es-mx

USH +2 5.5" Base Kit Data Sheet ENV2 | 1024 • Subjeta a cambios
Las ilustraciones del producto son ejemplares y pueden diferir del original.