

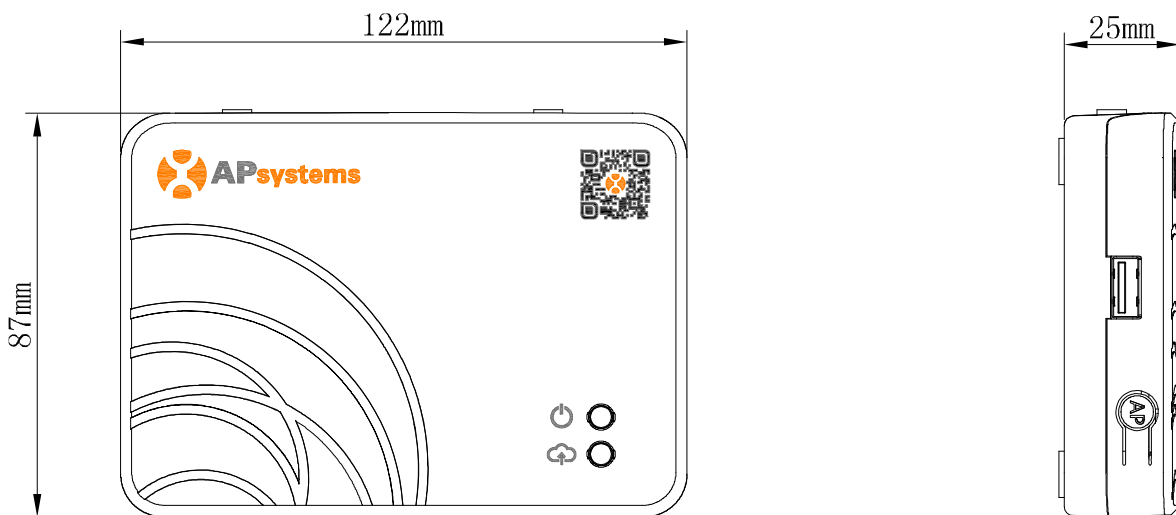


ECU-B

Energy Communication Unit

- Collection and transmission of inverter data
- Real time monitoring of each inverter
- Built-in WiFi
- Small size, flexible installation
- Maximum monitoring 4 modules

DIMENSIONS



The APsystems Communicator, our state-of-the-art Energy Communication Unit (ECU-B), is the information gateway for our APsystems inverters. It collects and transfers module performance data in real time, giving you comprehensive monitoring and control over each individual module, optimizing the performance of your solar array.

ECU-B Datasheet

Communication Interface

Integrated Wi-Fi	802.11g/n
Communication	ZigBee 2.4 GHz
Wireless Security	WEP, WPA2-PSK
USB Interface	5Vdc-0.5A Output

Power Data

Power Supply	5V, 2A
Power Consumption	1.7 W
Maximum Communicating PV Module Qty	4

Mechanical Data

Dimensions (W×H×D)	122 mm x 87 mm x 25 mm (4.8" x 3.4" x 0.98")
Weight	150g (0.33lbs)
Ambient Temperature Range	-20°C to +65°C (-4°F to +149°F)
Cooling	Nature Convection; No Fans
Enclosure Environmental Rating	Indoor - NEMA 1 (IP20)

Features

Compliance	IEC 60950-1, EN60950-1, IEC 60529, EN 60529, ANSI/UL 60950-1, CAN/CSA C22.2 No.60950-1, UL50E, FCC part 15, EN61000-6-1, EN61000-6-3, ICES-003, AS NZS 60950-1, GB/T17799
------------	---



Please scan the QR code to get mobile app and more support to help the installation.



Specifications subject to change without notice - please ensure you are using the most recent update found at latam.APsystems.com

© All Rights Reserved